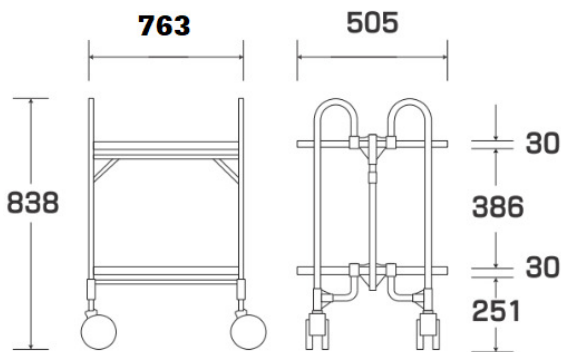




WTAM-2  
(mid-size model)



open dimensions



**Open** : W763\*D505\*H838 mm  
**Folded** : W763\*D200\*H940 mm  
**Weight** : 15 kg  
**Load capacity** : 30 kg per table  
**Plates/ pipes** : stainless steel  
**Joints** : plasticised nylon  
**Castors** : double wheels in 100 mm diameter  
 Two castors in the diagonal position accompany the motion locks.



It sure matches the environment.